

PAMS Technical Documentation

NSD-1 Series Transceivers

General Information

AMENDMENT RECORD SHEET

Amendment Number	Date	Inserted By	Comments
	08/99		Issue 1
Issue 2	09/00	OJuntune	New variants NSD-1 FW/GW/AW, p.8 & 9 ARS added p.2

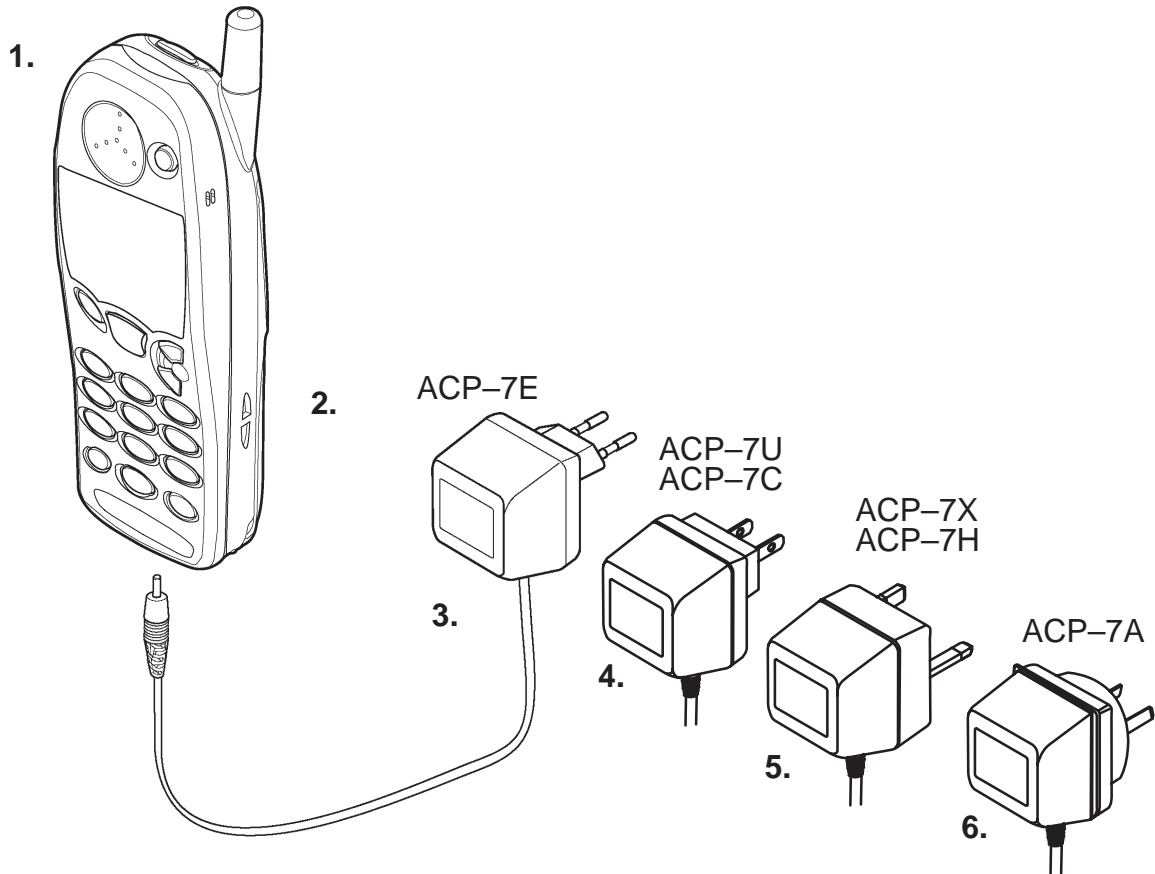
CONTENTS

Product Selection	3
Handportables	3
Desktop Option	4
Basic Car Kit (CARK-64) Options	5
Advanced Hands Free Car Installation (CARK-91) Options	6
Product and Module List	7
Technical Specifications	8
General Specifications of Transceiver NSD-1FX	8
General Specifications of Transceiver NSD-1GX	8
General Specifications of Transceiver NSD-1FW	8
General Specifications of Transceiver NSD-1GW	9
General Specifications of Transceiver NSD-1AW	9

Product Selection

Handportables

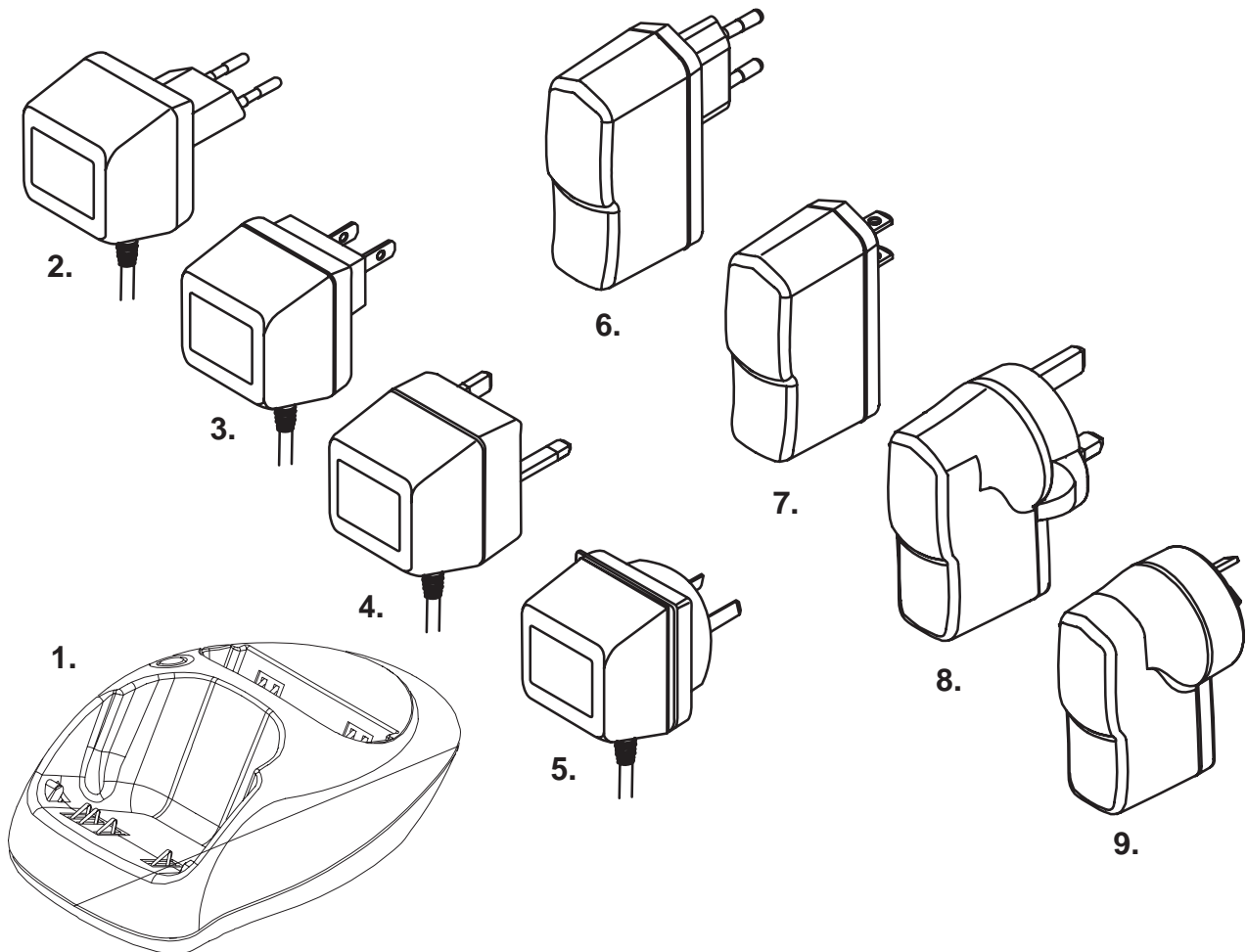
The NSD-1 is a handportable mobile telephone for the AMPS/CDMA 800 or CDMA 1900 networks. See Product Variants chapter for details.



Item Name:	Type code:	Material code:
1. Transceiver	(See Product Variants section)	
2. Standard battery (NiMH 900 mAh)	BMS-2	0670203
3. AC Travel Charger (Euro plug) 207-253 Vac	ACP-7E	0675144
4. AC Travel Charger (US plug) 108-132 Vac	ACP-7U	0675143
AC Travel Charger (US plug) 198-242 Vac	ACP-7C	0675158
5. AC Travel Charger (UK plug) 207-253 Vac	ACP-7X	0675145
AC Travel Charger (UK plug) 180-220 Vac	ACP-7H	0675146
6. AC Travel Charger (Australia) 216-264 Vac	ACP-7A	0675148

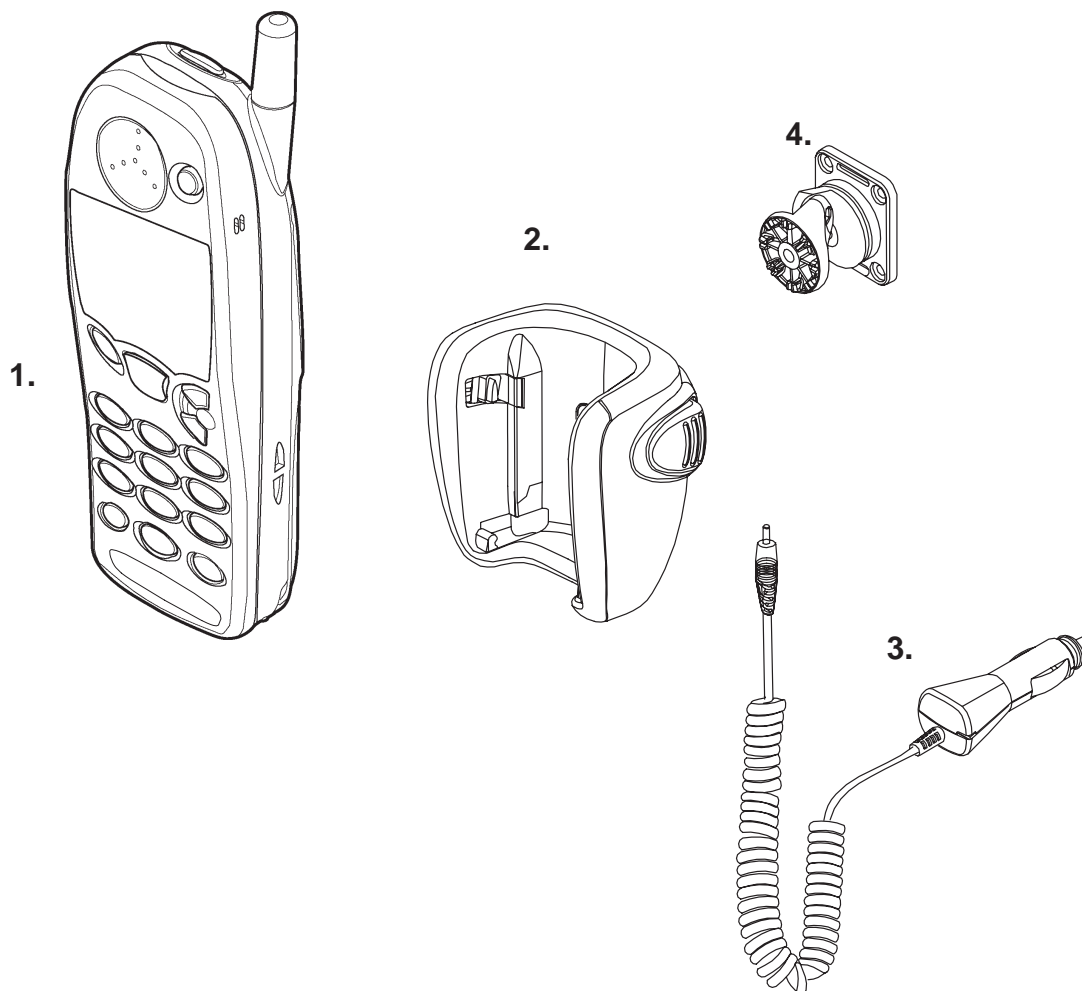
Desktop Option

The desktop option allows the user to charge the handportable and spare battery from mains.



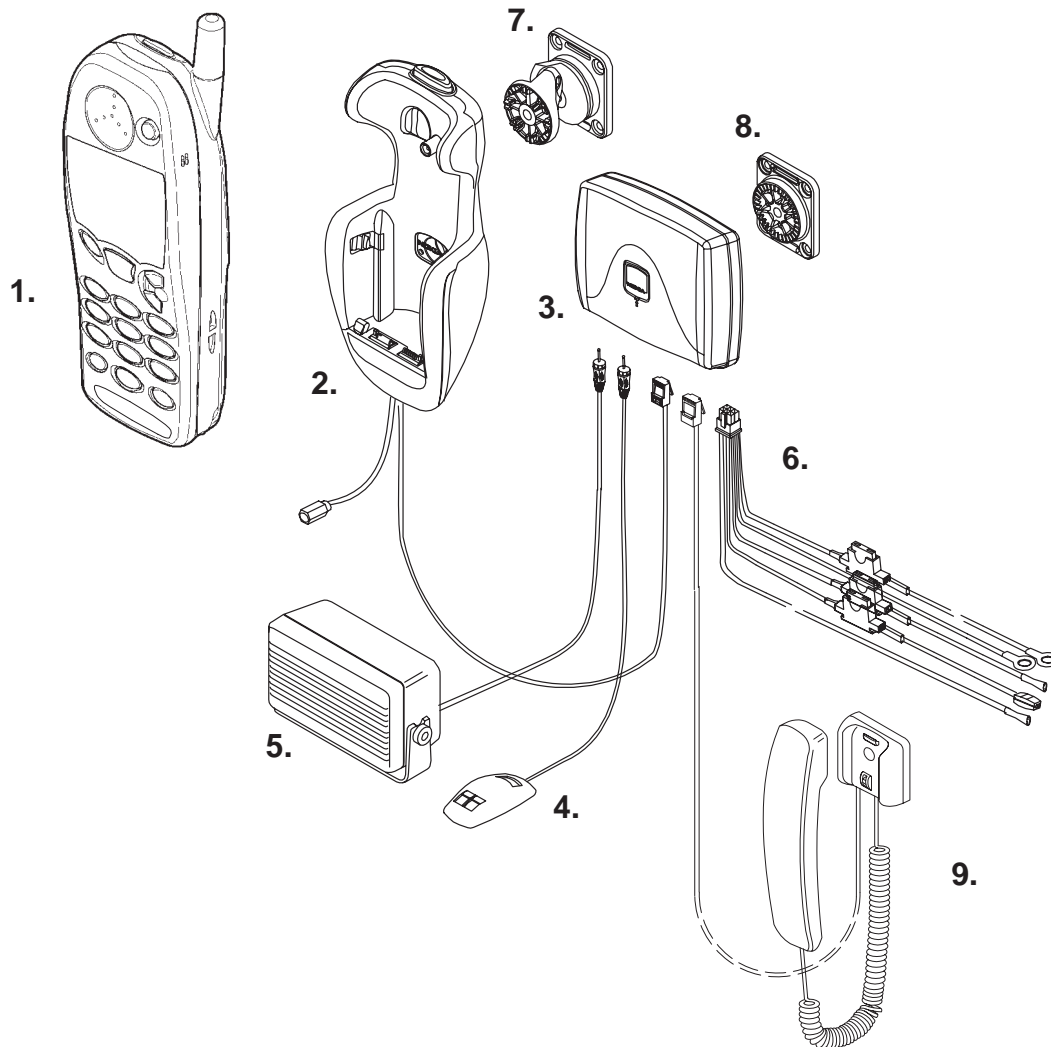
Item Name:	Type code:	Material code:
1. Desktop stand	DCH-9	0700049
2. AC Travel Charger (Euro plug) 207-253 Vac	ACP-7E	0675144
3. AC Travel Charger (US plug) 108-132 Vac	ACP-7U	0675143
AC Travel Charger (US plug) 198-242 Vac	ACP-7C	0675158
4. AC Travel Charger (UK plug) 207-253 Vac	ACP-7X	0675145
AC Travel Charger (UK plug) 180-220 Vac	ACP-7H	0675146
5. AC Travel Charger (Australia) 216-264 Vac	ACP-7A	0675148
6. Fast Travel Charger (Euro plug) 90-264 Vac	ACP-9E	0675149
7. Fast Travel Charger (US plug) 90-264 Vac	ACP-9U	0675151
8. Fast Travel Charger (UK plug) 90-264 Vac	ACP-9X	0675150
9. Fast Travel Charger (Australia) 90-264 Vac	ACP-9A	0675152

Basic Car Kit (CARK-64) Options



Item Name:	Type code:	Material code:
1. Transceiver	(See Product Variants section)	
2. Mobile Holder	MBC-1	0700060
3. Cigarette Lighter Charger	LCH-9	0657120
4. Swivel Mount	HHS-9	0620037

Advanced Hands Free Car Installation (CARK-91) Options



Item Name:	Type code:	Material code:
1. Transceiver	(See Product Variants section)	
2. Mobile Holder	MCC-1	0620043
3. Hands Free Unit	HFU-2	0694049
4. Hands Free Microphone	HFM-8	0690016
5. Hands Free Speaker	HFS-12	0692008
6. Power Cable	PCH-4J	0730055
7. Swivel Mount	HHS-9	0620037
8. Mounting Plate	MKU-1	0620036
9. Handset	HSU-1	0640047

Product and Module List

Unit/type:	Product code:
Transceiver NSD-1	See Product Variants section
Slim Battery BLS-2 900 mAh	0670206
Standard Battery BMS-2S 900 mAh NiMH	0670225
Standard Battery BMS-2 900 mAh	0670203
Vibrator Battery BMS-2V 900 mAh +	0670204
Extended Battery BLS-4 1500 mAh	0670207
AC Travel Charger ACP-7E (EUR) 207-253 Vac	0675144
AC Travel Charger ACP-7U (US) 108-132 Vac	0675143
AC Travel Charger ACP-7C (US) 198-242 Vac	0675158
AC Travel Charger ACP-7X (UK) 207-253 Vac	0675145
AC Travel Charger ACP-7H (UK) 180-220 Vac	0675146
AC Travel Charger ACP-7X (AUS) 216-264 Vac	0675148
Fast Travel Charger ACP-9E (EUR) 90-264 Vac	0675149
Fast Travel Charger ACP-9U (US) 90-264 Vac	0675151
Fast Travel Charger ACP-9X (UK) 90-264 Vac	0675150
Fast Travel Charger ACP-9A (AUS) 90-264 Vac	0675152
Cigarette Lighter Charger LCH-9	0675120
Desktop Stand DCH-9	0675174
Mobile Holder MBC-1	0700060
Mobile Holder MCC-1	0620043
Handsfree Unit HFU-2	0694049
Power Cable PCH-4J	0730055
HF Microphone HFM-8	0690016
HF Speaker HFS-12	0692008
Handset HSU-1	0640047
Mounting Plate MKU-1	0620036
Swivel Mount HHS-9	0620037
Headset HDC-9	0694053
Belt Clip BCH-12U	0720161
External Antenna Cable XRC-1	0730103
Data Adapter Cable DAC-2	0730106

Technical Specifications

General Specifications of Transceiver NSD-1FX

Parameter	Unit
Cellular system	CDMA1900
RX frequency band	1930–1990 MHz
TX frequency band	1850–1910 MHz
Duplex spacing	80 MHz
Number of RF channels	1200
Channel spacing	50 kHz
Number of TX power levels	–50 dBm to max power

General Specifications of Transceiver NSD-1GX

Parameter	Unit
Cellular system	CDMA 800 / AMPS 800
RX frequency band	869–894 / 869–894 MHz
TX frequency band	824–849 / 824–849 MHz
Duplex spacing	45 / 45 MHz
Number of RF channels	–
Channel spacing	30 / 30 kHz
Number of TX power levels	–50 dBm to max power

General Specifications of Transceiver NSD-1FW

Parameter	Unit
Cellular system	CDMA1900
RX frequency band	1930–1990 MHz
TX frequency band	1850–1910 MHz
Duplex spacing	80 MHz
Number of RF channels	1200
Channel spacing	50 kHz
Number of TX power levels	–50 dBm to max power

General Specifications of Transceiver NSD-1GW

Parameter	Unit
Cellular system	CDMA 800 / AMPS 800
RX frequency band	869-894 / 869-894 MHz
TX frequency band	824-849 / 824-849 MHz
Duplex spacing	45 / 45 MHz
Number of RF channels	-
Channel spacing	30 / 30 kHz
Number of TX power levels	-50 dBm to max power

General Specifications of Transceiver NSD-1AW

Parameter	Unit
Cellular system	CDMA 800 / CDMA1900 / AMPS 800
RX frequency band	869-894 / 869-894 / 1930-1990 MHz
TX frequency band	824-849 / 824-849 / 1850-1910 MHz
Duplex spacing	45 / 45 MHz / 80 MHz
Number of RF channels	- / 1200
Channel spacing	30 / 30 kHz / 50 kHz
Number of TX power levels	-50 dBm to max power

This page intentionally left blank.